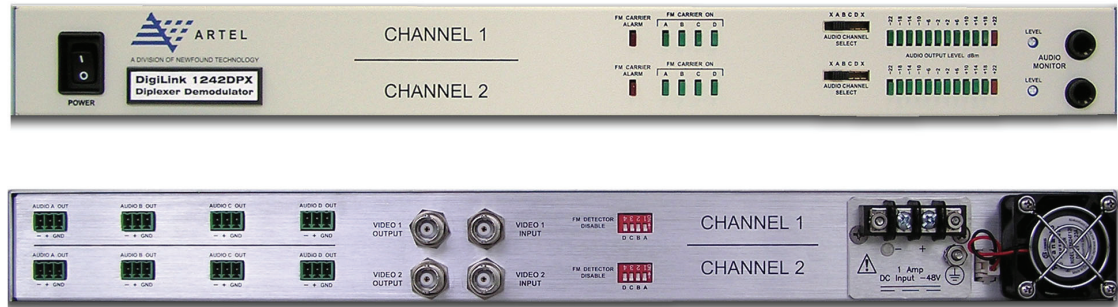


DigiLink 1242 MPX Diplexer Modulator DigiLink 1242 DPX Diplexer Demodulator



The DigiLink 1242 is a 2-channel diplexer in a space-saving 1RU chassis. Each channel modulates four baseband audio inputs and sums them into a video input, producing one Video + Audio Diplexed output.

Flexible

- ▶ Designed specifically for telecommunications service providers to simplify audio connections to an analog video switch
- ▶ Two independent diplexer modulators/demodulators in 1RU
- ▶ Short haul video and audio processing and filtering
- ▶ Can be deployed at customer premise or telco switching center
- ▶ Diplexed audio + video can be routed, switched, amplified and patched as any normal composite video, with the advantage of simultaneous audio

Industry Leading Quality and Reliability

- ▶ Reliable, space efficient stand-alone diplexer
- ▶ Forced cooling allows for high density installations
- ▶ 5 Year Warranty

Unique Features

- ▶ Four Analog Balanced Audio Inputs/Outputs per video
- ▶ Adjustable RF Levels
- ▶ Uses standardized 5.8MHz, 6.4MHz, 7.5MHz and 8.2MHz sub-carriers
- ▶ Carrier status indicators
- ▶ +18 dBm audio levels
- ▶ 1.0 Vp-p baseband video
- ▶ Fully compatible with the DL1240E and DL1240D

Power

AC Specifications

Input Voltage	90 to 254 VAC at 47 or 63 Hz
Current	1.0 Amp (max.)
Power Consumption	40 Watts (max.)
BTU/hr	135

DC Specifications

Voltage	-38.4 to -57.6 VDC
Current	1.0 Amp (max.)
Power Consumption	40 Watts (max.)
BTU/hr	135

Environmental

Ambient Operating Temperature	0 to 40°C, 32 to 104°F
Relative Humidity	10 to 95% (non-condensing)
Ambient Storage Temperature	-40 to 80°C, -40 to 176°F

Physical

Chassis Dimensions (H, W, D)	1.75" x 19.0" x 10.50" 4.44 cm x 48.26 cm x 26.67
Chassis Weight	6.5 lbs, 2.9484 kg
Rack Mount Requirement	One 19" Rack Unit

Analog Video

Freq. Amplitude Response	0.1 dB (4.2 MHz)
Signal to Noise, weighted	73 dB

Analog Audio

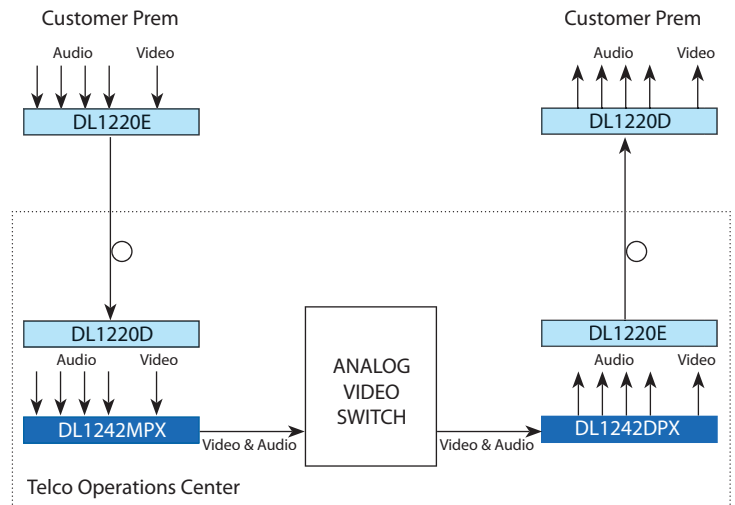
Nominal (test) Level	18 dBm (400Hz)
Maximum Output Level	20 dBm (400Hz)
Insertion Gain	0±0.5 dB
Freq Amplitude Response	±0.5 dB
THD+N	0.80% (50Hz-20 KHz@18 dBm) 0.50% (400Hz @18 dBm)
SNR (weighted)	70 dB
Crosstalk	70 dB @10kHz
Audio Terminating Impedance	600 Ohms
Pre-emphasis	75 μs
Carrier A Audio Frequency	5.8 MHz
Carrier B Audio Frequency	6.4 MHz
Carrier C Audio Frequency	7.5 MHz
Carrier D Audio Frequency	8.2 MHz
Frequency Stability	±300 Hz
Deviation	±185 kHz@1.0kHz, +18 dBm
Carrier Amplitude	100±10 mV

Note: Specifications are subject to change without notice.

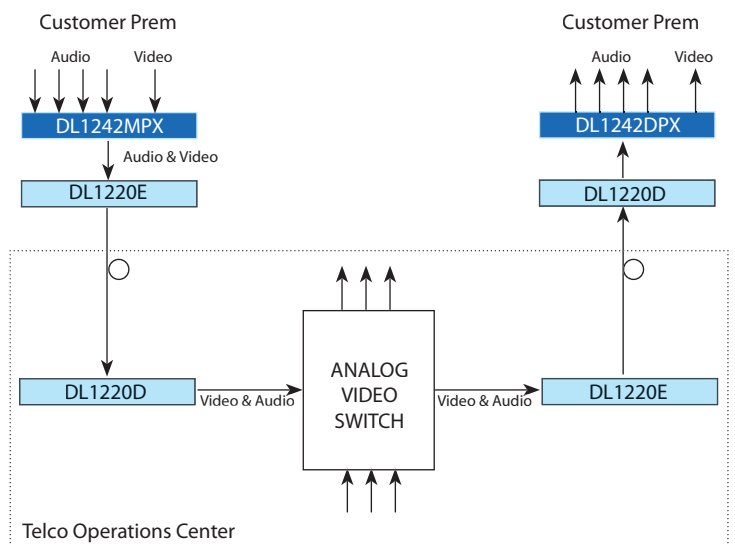
Ordering Information

Part Number	Description
390-000331-02	Dual Audio Diplexer Modulator, AC power
390-000337-02	Dual Audio Diplexer Demodulator, AC power
390-000333-02	Dual Audio Diplexer Multiplexer, -48VDC
390-000338-02	Dual Audio Diplexer Demodulator, -48VDC

DL1242 AT TELCO OPERATIONS CENTER



DL1242 AT CUSTOMER PREM



www.artel.com

Corporate Headquarters

Newfound Technology Inc.
330 Codman Hill Rd.
Boxborough, MA 01719
T: 978.263.5775
F: 978.263.9755

Contact Information

Domestic Sales:
sales@artel.com
International Sales:
internationalsales@artel.com
Technical Support:
customer@artel.com