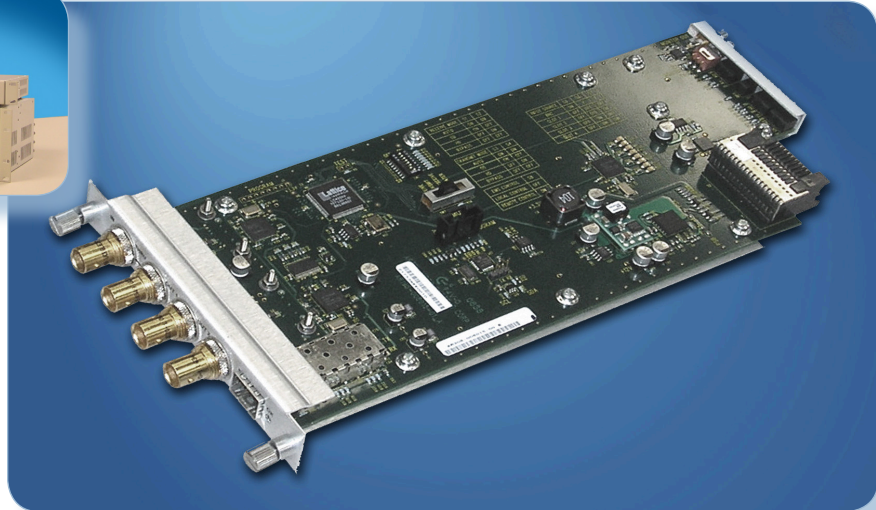


DLC103

DL4000 VIDEO TRANSPORT SYSTEM

3G Multi-Rate Digital Video Optical Transmitter/Receiver/Transceiver/Repeater



Features

Single card configurable as:

- Transmit (electrical to optical)
- Receive (optical to electrical)
- Bi-directional (independent transmit and receive)
- Repeat/Regenerate (optical to optical)

Automatic rate selection of all digital video formats

- 2.967Gb/s 3G-SDI (SMPTE 424M)
- 1.485Gb/s HD-SDI (SMPTE 292M)
- 270Mb/s
 - SD-SDI (SMPTE 259M-C, ITU 656)
 - SDTI (SMPTE 305M)
 - DVB-ASI
- 19.39Mb/s ATSC (SMPTE 310M)
- Internal switch selectable rate lockout

Externally accessible SFP transceiver optics

- Optical budget to 34dB
- WDM (1310nm, 1550nm)
- CWDM ITU G.694.2 (channels 1271-1611)

Inputs/outputs

- Optical via SFPs
- Electrical input (1) and outputs (3) via 75ohm BNC
- Input from and output to other modules in DL4000/DL4300 Chassis (via backplane)

Multiple monitor options

- Front panel monitor selectable between optical input and optical output (HD-BNC)
- Front and rear panel status LEDs

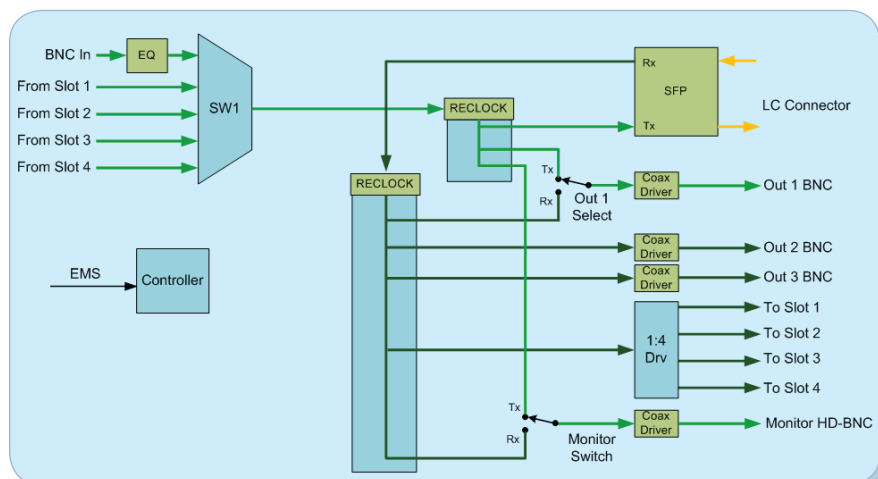
Remote management via DL-Manager

- No external software required
- HTTP or SNMP v2
- Monitor
- Configure
- Upgrade firmware

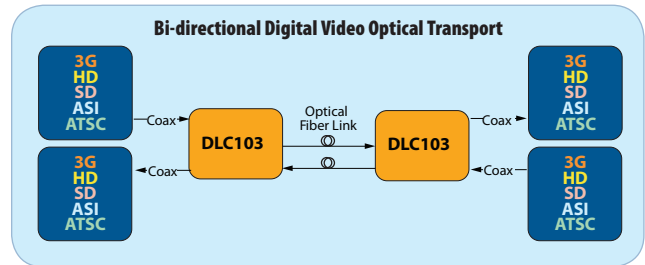
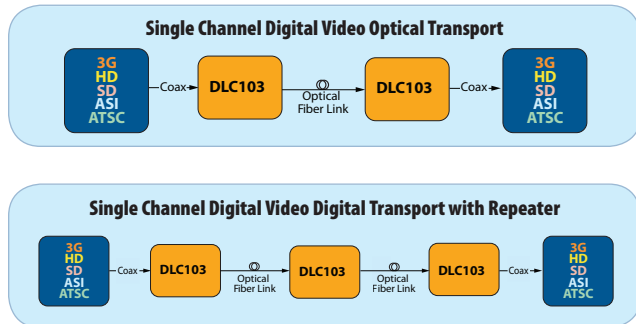
The DLC103 is a flexible, cost-effective, bi-directional fiber optic transport module for all digital video formats ranging from 19.39Mb/s to 2.97Gb/s. The single-module DLC103 is user configurable to function as a transmitter, receiver, transceiver, repeater, and as a 4-channel distribution amplifier.

The DLC103 incorporates numerous features in a flexible, easy-to-deploy, and configurable module, offering unparalleled quality and reliability. Backward compatible with our DLC100 function module, it facilitates seamless transition from HD to 3G transport and continues Artel's tradition of offering innovative and reliable video-over-optical transport hardware.

The DLC103 can be deployed in all active DL4000 based chassis including the twelve-slot DL4300, four-slot DL4000 and DL4042, and our single-slot DL4100. Optics are industry standard externally accessible transceiver SFPs in 1310nm, 1550nm and 18 CWDM wavelengths. All these features add up to making the DLC103 the most flexible, easy-to-deploy, and reliable single channel digital video optical transport module ever developed.



DLC103 Applications



Specifications

Environmental

Ambient operating temperature of DL4000/4300 Chassis	0 to 50°C
Ambient storage temperature	-40 to 80°C
Relative humidity	10 to 95% (non-condensing)
Power dissipation	6 watts

Physical

Dimensions	0.8" x 5" x 10.8"
	1 slot in DL4000 platform

Optical Interface

Artel Video SFP	See SFP specification sheet
------------------------	-----------------------------

Electrical Interface

Signal Formats

- 2.967 Gb/s
 - 3G-SDI (SMPTE 424M)
- 1.485Gb/s
 - HD-SDI (SMPTE 292M)
- 270Mb/s
 - SD-SDI (SMPTE 259M-C, ITU 656)
 - SDTI (SMPTE 305M)
 - DVB-ASI
 - ARTEL 270
- 19.39Mb/s
 - ATSC (SMPTE 310M)

Signal polarity	Non Inverting
Channels	1-transmit, 1-receive
Connectors	
Input (1)	BNC 75ohm
Output (3)	BNC 75ohm
Monitor	HD-BNC 75ohm
Return Loss	>15 dB, 5-1485 MHz >10dB, 1486-2967MHz
Cable equalization for Belden 1694A type cable:	0 to 350 meters (270Mb/s) 0 to 140 meters (1.485Mb/s) 0 to 120 meters (2.967Gb/s)

Regulatory Conformance

Compliance: NEBS Level 3, CSA 60950, EN60950, EN55022, FCC Part 15 (Class A), CISPR 22

Ordering Information

DLC103 Function Module

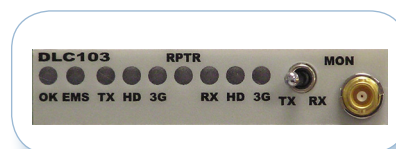
Model	Description	Part #
DLC103	3G Multi-Rate, Digital Video Optical Transmitter/Receiver/Transceiver/ Repeater	390-008215-00

SFP Optics See optics compatibility chart

Monitor Cable

Model	Description	Part #
DL100HDMC-72	Monitor cable, HD-BNC to BNC, 72" long	396-001010-72

Specifications are subject to change without notice.



Front panel monitoring and status displays



SFP optics (Small Form-Factor Pluggable)



Rear panel includes one electrical Input, three electrical outputs, and SFP transceiver cage